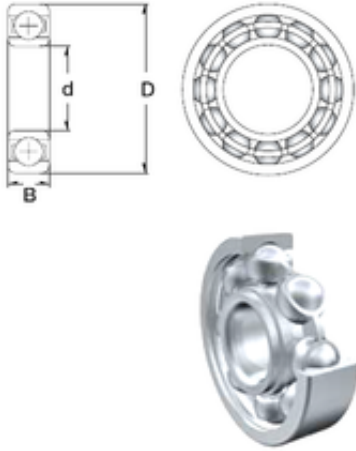




NTN PRECISION AXLE CORP.



8 mm x 28 mm x 9 mm ZEN S638-2RS deep groove ball bearings

Bearing No. S638-2RS

Size	8x28x9 mm
Bore Diameter	8 mm
Outer Diameter	28 mm
Width	9 mm
d	8 mm
D	28 mm
B	9 mm
C	9 mm
Basic dynamic load rating (C)	4,563 kN
Basic static load rating (C0)	1,983 kN

S638-2RS Bearing 2D drawings and 3D CAD models