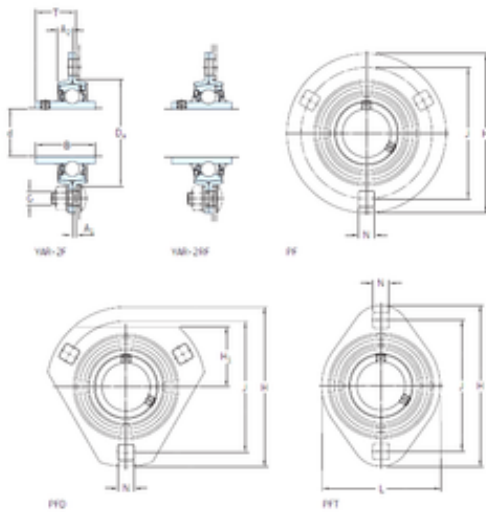




NTN PRECISION AXLE CORP.



SKF PF 20 WF bearing units

Bearing No. PF 20 WF

Bore Diameter	20 mm
d	20 mm
Da	55 mm
A1	2 mm
B1	43,7 mm
G	8 mm
H	91 mm
H1	– mm
J	71,5 mm
L	–
N	8,7 mm
T	28,6 mm
A2	8 mm
Weight	0,33 Kg
Basic dynamic load rating (C)	12,7 kN
Basic static load rating (C0)	6,55 kN
Housing material	Pressed steel
A ₁	2 mm
A ₂	8 mm
B	34.2 mm
B ₄	4.75 mm
D _a min.	51 mm
s ₁	26.6 mm
Basic dynamic load rating C	12.7 kN
Basic static load rating C ₀	6.55 kN
Fatigue load limit P _u	0.28 kN

PF 20 WF Bearing 2D drawings and 3D CAD models



NTN PRECISION AXLE CORP.

Permissible radial housing load max.	3.3 kN
Mass unit	0.35 kg
Thread grub screw G ₂	M6x0.75
Hexagonal key size for grub screw N	3 mm
Recommended tightening torque for grub screw	4 N · m
Recommended diameter for attachment bolts, mm G	8 mm
Recommended diameter for attachment bolts, inch G	0.3125 in
Bearing	YEL 204-2F
Housing	PF 47