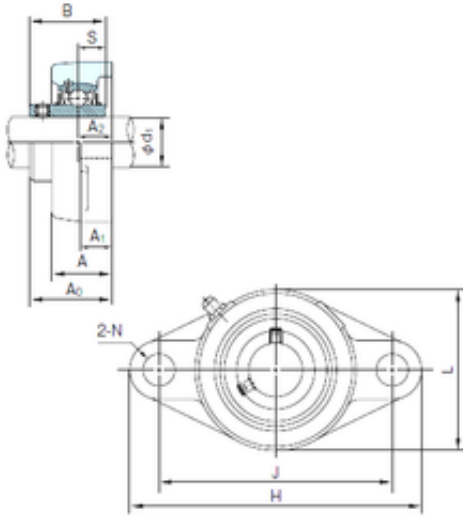




# NTN PRECISION AXLE CORP.



## NACHI UCFL211 bearing units

Bearing No. UCFL211

Bore Diameter	55 mm
d1	55 mm
A0	58.4 mm
A	43 mm
A1	20 mm
B	55.6 mm
H	224 mm
J	184 mm
L	130 mm
L1	134 mm
N	19 mm
S	22.2 mm
Bolt (G)	M16
A2	25 mm
Category	Bearings
Inventory	0.0
Manufacturer Name	NACHI
Minimum Buy Quantity	N/A
Weight / Kilogram	0
Product Group	M06110

UCFL211 Bearing 2D drawings and 3D CAD models