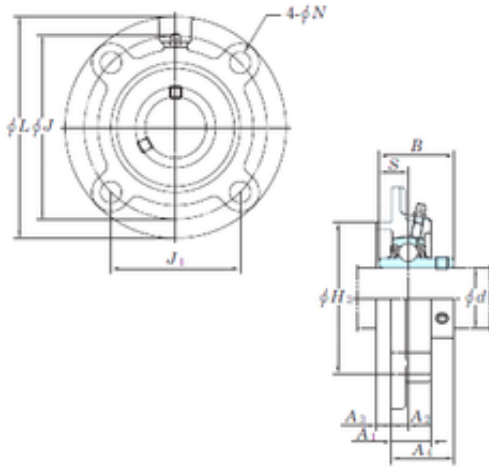




NTN PRECISION AXLE CORP.

KOYO UCFCX09E bearing units



Bearing No. UCFCX09E

Bore Diameter	45 mm
d	45 mm
H3	107,95 mm
A4	40,6 mm
A1	25 mm
B	51,6 mm
J	130 mm
L	155 mm
N	14 mm
S	19 mm
Bolt (G)	M12
A2	8 mm
A3	12 mm
J1	91,9 mm
Weight	2,6 Kg
Basic dynamic load rating (C)	35,1 kN
Basic static load rating (C0)	23,3 kN

UCFCX09E Bearing 2D drawings and 3D CAD models