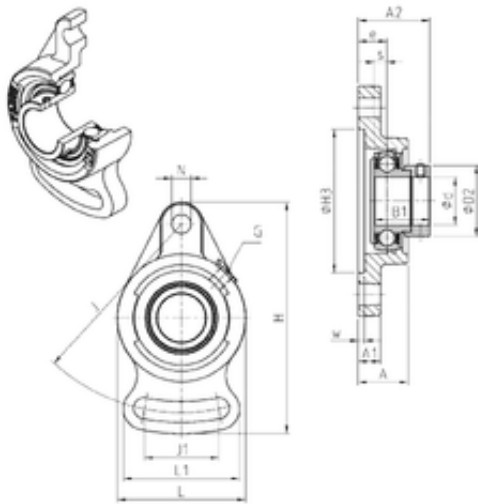




NTN PRECISION AXLE CORP.



ESFAE207 Bearing 2D drawings and 3D CAD models

SNR ESFAE207 bearing units

Bearing No. ESFAE207

Bore Diameter	35 mm
d	35 mm
H3	82,5 mm
e	15 mm
s	9,5 mm
A	26,5 mm
A1	12,5 mm
B1	38,9 mm
D2	55,6 mm
H	155 mm
J	128 mm
L	90 mm
L1	75 mm
N	14 mm
W	4,5 mm
Thread (G)	R1/8"
A2	44,4 mm
J1	45 mm
Weight	1,2 Kg
Basic dynamic load rating (C)	25,7 kN