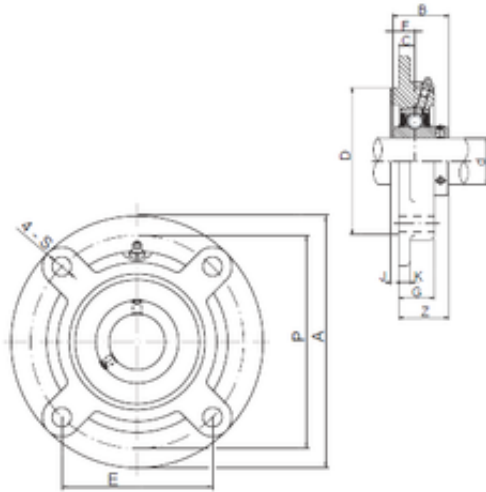




# NTN PRECISION AXLE CORP.

40 mm x 100 mm x 49,2 mm ISO UCFC208 bearing units



Bearing No. UCFC208

Bore Diameter	40 mm
d	40 mm
P	120 mm
Z	41,2 mm
A	145 mm
B	49,2 mm
C	11 mm
D	100 mm
E	84,8 mm
F	19 mm
G	26 mm
J	10 mm
K	9 mm
S	14 mm
Bolt (G)	M12

UCFC208 Bearing 2D drawings and 3D CAD models