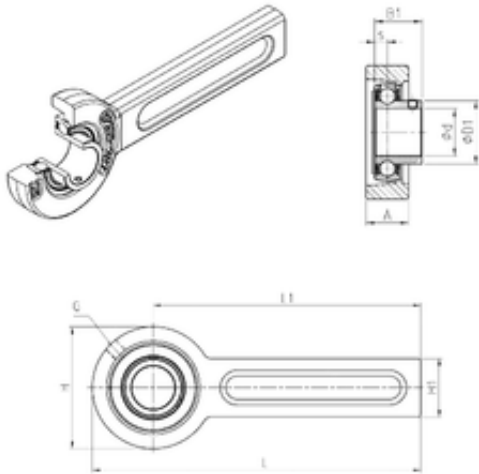




NTN PRECISION AXLE CORP.



SNR USSP202 bearing units

Bearing No. USSP202

Bore Diameter	15 mm
d	15 mm
s	6 mm
A	21 mm
B1	22 mm
D1	24,6 mm
H	78 mm
H1	41 mm
L	264 mm
L1	225 mm
Thread (G)	R1/8"
Weight	1,6 Kg
Basic dynamic load rating (C)	9,55 kN
B	22 mm
A5	16 mm
G	R1/8"
H2	41 mm
s1	11 mm
S	6 mm
SW	2.5 mm
C	9.55 kN
C0	4.78 kN
T min.	-20 ° C
T max.	100 ° C
Recommended tightening torque for set screw	3.5 Nm

USSP202 Bearing 2D drawings and 3D CAD models



NTN PRECISION AXLE CORP.

Designation of housing	SP203-205/40-
Designation of bearing	US202G2