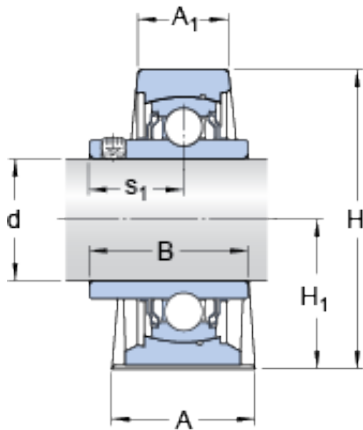




NTN PRECISION AXLE CORP.



SKF SY 2.15/16 TF/VA228 bearing units

Bearing No. SY 2.15/16 TF/VA228

SY 2.15/16 TF/VA228 Bearing 2D drawings and 3D CAD models

Size	71.6x74.613x48 mm
Bore Diameter	71,6 mm
Outer Diameter	74,613 mm
Width	48 mm
d	74.613 mm
A	71.6 mm
A ₁	48 mm
H	166.1 mm
H ₁	82.55 mm
H ₂	32.8 mm
L	279 mm
J	215.9 mm
H	35 mm
N ₁	22.23 mm
B	73.3 mm
s ₁	46.3 mm
Basic dynamic load rating - C	66.3 kN
Basic static load rating - C ₀	49 kN
Limiting speed	80 r/min
Limiting temperature - T	350 ° C
Mass bearing unit	7.5 kg
Grub (set) screw - G ₂ - 7/16-20 UNF	7/1620 UNF
Hexagonal key size for grub screw - H	5.556 mm



NTN PRECISION AXLE CORP.

Recommended tightening torque for grub screw	28.5 N · m
Category	Pillow Block Bearings
Inventory	0.0
Manufacturer Name	SKF
Minimum Buy Quantity	N/A
Weight / Kilogram	7.26
EAN	7316571761206
Product Group	M06110
Number of Mounting Holes	2
Mounting Method	Set Screw
Housing Style	2 Bolt Pillow Block
Rolling Element	Ball Bearing
Housing Material	Cast Iron
Expansion / Non-expansion	Non-expansion
Mounting Bolts	3/4 Inch
Relubricatable	Yes
Insert Part Number	YAR 215-215-2F/VA228
Seals	M Seal
Housing Configuration	1 Piece Solid
Inch - Metric	Inch
Other Features	Single Row Standard Duty Wide Inner Race High Temperature Bearing with Graphite Has Flinger Y Bearing
Long Description	2 Bolt Pillow Block; 2-15/16" Bore; 3-1/4" Base to Center Height; Set Screw Mount; Ball Bearing; 8" Minimum Bolt Spacing; 9" Bolt Spacing Maximum; Relubricatable; Cast Iron; M Seal
Category	Pillow Block
UNSPSC	31171511



NTN PRECISION AXLE CORP.

Harmonized Tariff Code	8483.20.40.40
Noun	Bearing
Keyword String	Pillow Block
Manufacturer URL	http://www.skf.com
Manufacturer Item Number	SY 2.15/16 TF/VA228
Weight / LBS	16
Nominal Bolt Center to Center	8.5 Inch 215.5 Millimeter
Length Thru Bore	2.5 Inch 63.5 Millimeter
Actual Bolt Center to Center	0 Inch 0 Millimeter
Bolt Spacing Minimum	8 Inch 203.2 Millimeter
Bolt Spacing Maximum	9 Inch 228.6 Millimeter
Base to Center Height	3.25 Inch 82.55 Millimeter
Bore	2.938 Inch 74.625 Millimeter
mounting:	Two-Bolt Base
overall width:	3-1/16 in
bore diameter:	2.9375 in
radial dynamic load capacity:	16380 lbf
bore type:	Round
radial static load capacity:	11930 lbf
base to bore centerline:	3.2520 in
base width:	71.6 mm
housing material:	Cast Iron
bolt center-to-center length:	215.9 mm
locking device:	Set Screw
maximum rpm:	2400 RPM
expansion type:	Non-Expansion Bearing (Fixed)
lubrication type:	Lubrication Fitting
overall length:	279 mm
series:	SY



NTN PRECISION AXLE CORP.

overall height:	166 mm
replacement bearing:	YAR 215-215-2F
finish/coating:	Uncoated
standards met:	ISO
A ₁	48 mm
H ₁	82.55 mm
H ₂	32.8 mm
N	35 mm
N ₁	22.23 mm
s ₁	46.3 mm
Basic dynamic load rating C	66.3 kN
Basic static load rating C ₀	49 kN
Limiting temperature T max.	350 ° C
Grub (set) screw G ₂	7/16-20 UNF
Hexagonal key size for grub screw N	5.556 mm
Attachment bolts, recommended metric size G	20 mm