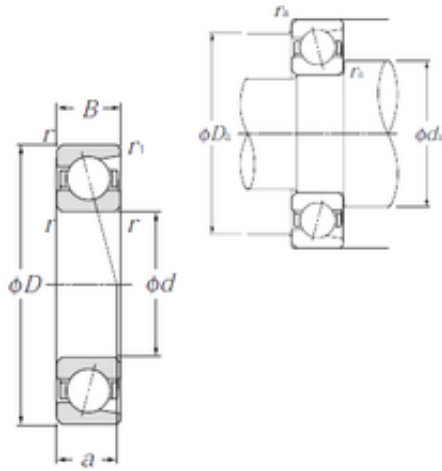




NTN PRECISION AXLE CORP.

180 mm x 280 mm x 46 mm NTN 7036 angular contact ball bearings



Bearing No. 7036

Size	180x280x46 mm
Bore Diameter	180 mm
Outer Diameter	280 mm
Width	46 mm
d	180 mm
D	280 mm
B	46 mm
C	46 mm
Angle (°)	25 °
a	89,5 mm
r min.	2,1 mm
r1 min.	1,1 mm
da min.	192 mm
ra max.	2 mm
Weight	10,4 Kg
Basic dynamic load rating (C)	219 kN
Basic static load rating (C0)	266 kN
(Grease) Lubrication Speed	2 300 r/min

7036 Bearing 2D drawings and 3D CAD models