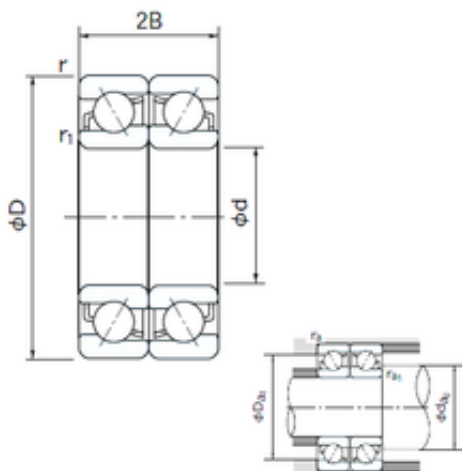




NTN PRECISION AXLE CORP.



12 mm x 32 mm x 10 mm NACHI 7201BDF
angular contact ball bearings

Bearing No. 7201BDF

7201BDF Bearing 2D drawings and 3D CAD models

Size	12x32x10 mm
Bore Diameter	12 mm
Outer Diameter	32 mm
Width	10 mm
d	12 mm
D	32 mm
B	10 mm
C	10 mm
Angle (°)	40 °
a	4.2 mm
r min.	0.6 mm
r1 min.	0.3 mm
2B	20 mm
da min.	14 mm
Da max.	29.4 mm
ra max.	0.3 mm
Weight	0.040 Kg
Basic dynamic load rating (C)	11,7 kN
Basic static load rating (C0)	7,55 kN
(Grease) Lubrication Speed	15000 r/min
Bore Type	Cylindrical Bore
Enclosure	Open
Configuration	Duplex
Bore Size	12 mm
Outside Diameter	32 mm



NTN PRECISION AXLE CORP.

Width	10 mm
Fillet Radius/Chamfer	0.6 mm
r1	0.3 mm
Dynamic Load Rating	11,700 N
Static Load Rating	7,550 N
Limiting Speed - Grease	15,000 rpm
Limiting Speed - Oil	20,000 rpm
da1 (min)	17 mm
da2 (min)	14 mm
Da1 (max)	27 mm
Da2 (max)	29.4 mm
ra (max)	0.6 mm
ra1 (max)	0.3 mm