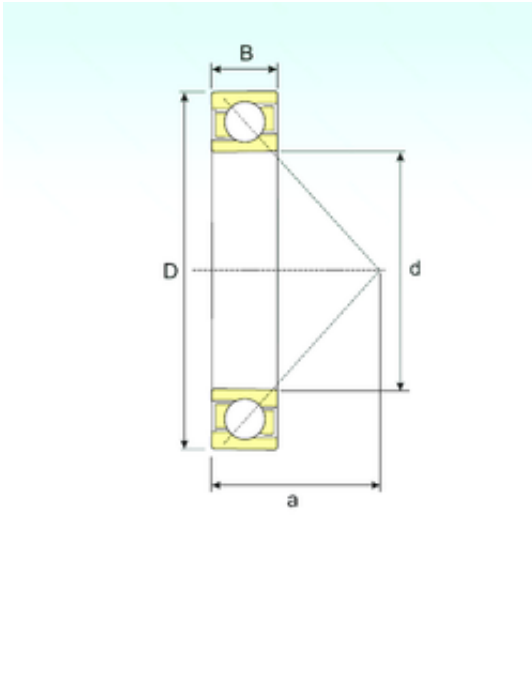




# NTN PRECISION AXLE CORP.



75 mm x 160 mm x 37 mm ISB 7315 B angular contact ball bearings

Bearing No. 7315 B

Size	75x160x37 mm
Bore Diameter	75 mm
Outer Diameter	160 mm
Width	37 mm
d	75 mm
D	160 mm
B	37 mm
C	37 mm
a	68 mm
Weight	3,06 Kg
Basic dynamic load rating (C)	122,5 kN
Basic static load rating (C0)	96,04 kN
(Grease) Lubrication Speed	3825 r/min

7315 B Bearing 2D drawings and 3D CAD models